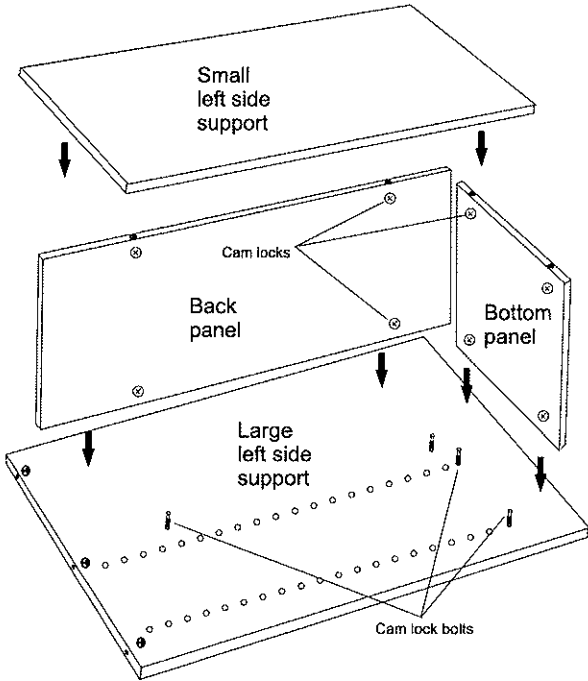


CRAFTERS DESK ASSEMBLY INSTRUCTIONS



STEP 1

Lay the large left side support on its back and screw the cam lock bolts into the holes as shown.

STEP 2

Push cam locks into large holes on the back and bottom panels. Make sure that the arrow/triangle is pointing towards pre-drilled hole in side of panel. Fig A. Attach these panels to the side support and tighten cam locks by turning clockwise with a screwdriver.

STEP 3

Screw the cam lock bolts into the holes on the small side support panel. Attach this panel onto the back and bottom panels and tighten cam locks like before.

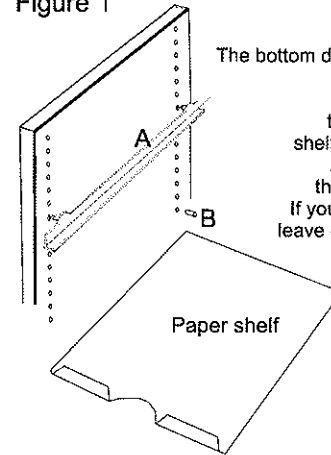
STEP 4

Repeat this process for the right side support of the desk. Set the finished side supports up right in order to attach the top panel of the desk.

RAIL INSTRUCTIONS

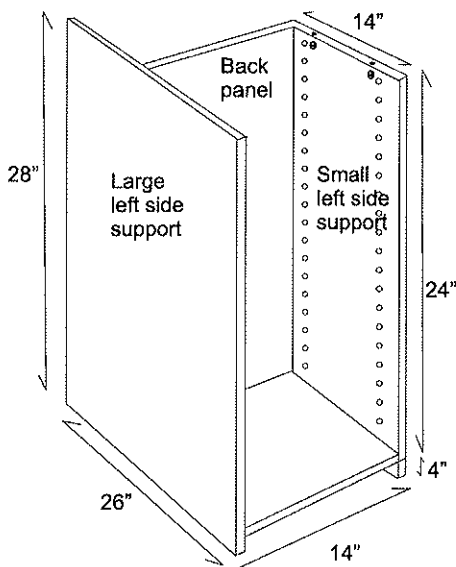
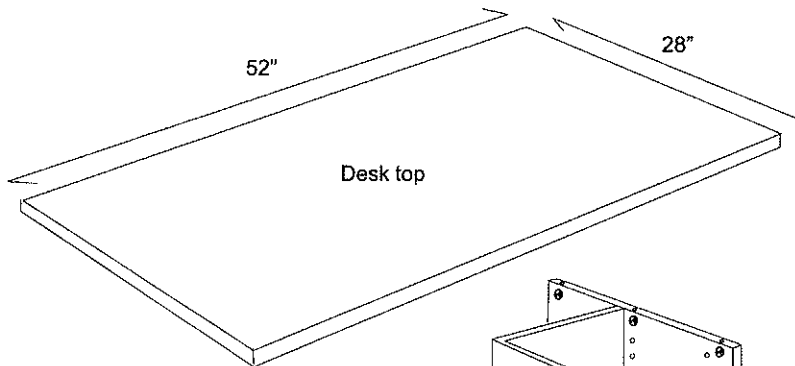
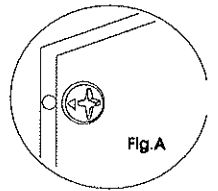
A. Left & Right drawer rails can easily be pushed into the pre-drilled holes in the sides of the cabinet. When removing rails, DO NOT TWIST, just lightly wiggle until the rail is loose enough to pull out.

Figure 1



PLEASE NOTE:
The bottom drawer does not require a rail.

B. The metal dowels are for the paper shelves. The paper shelf will clip onto the rear dowel. A light push back will release the shelf so you can remove it. If you want paper shelves sloped, leave one space empty in your unit to allow for this.



STEP 5

Before attaching the desk top, you will need to screw the cam bolts into the 10 holes on the bottom side of the desk top panel.

STEP 6

To finish your desk, simply place the two desk supports about 22 inches apart. Place the desk top panel on top of the side supports. The cam bolts will fit inside the pre-drilled holes on the tops of the side supports. You will have to move one side of the support so that the top will fit into place. Tighten the cam locks like before.

STEP 7

You should now have completed the Crafters Desk. The last step is to put in the drawers and/or shelves you have chosen for your desk. (See figure 1)

