



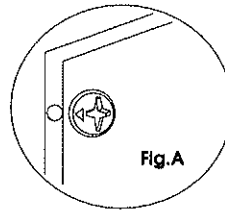


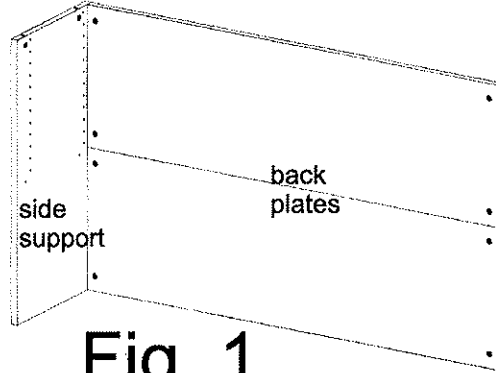
HUTCH ASSEMBLY INSTRUCTIONS

-  X22
cam lock bolts
-  X22
cam locks
-  X4
bracket screws
-  X2
brackets



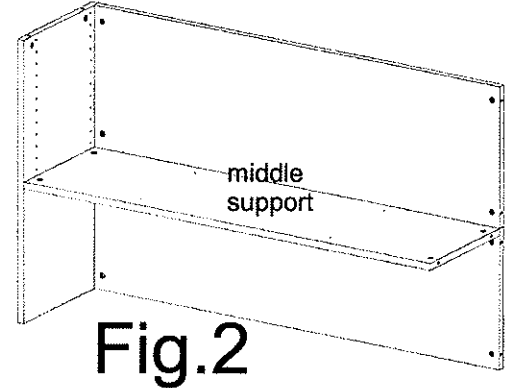
STEP 1

Screw the black cam-lock bolts into the pre-drilled holes on all plates and supports. Push the cam-locks into the larger holes in all plates and supports. (Make sure the arrow/triangle on the cam-lock is pointing towards the pre-drilled hole in the side of the panel. Fig. A.)



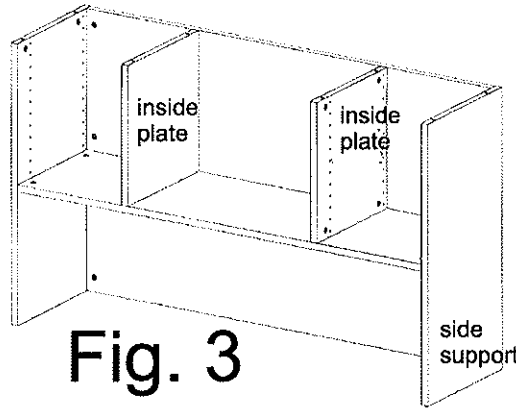
STEP 2

Set the back plates on their backs and attach the left side support. Fig. 1. The cam-bolts will fit into the pre-drilled holes in the side of the back plates. Now turn the cam-lock to tighten pieces together.



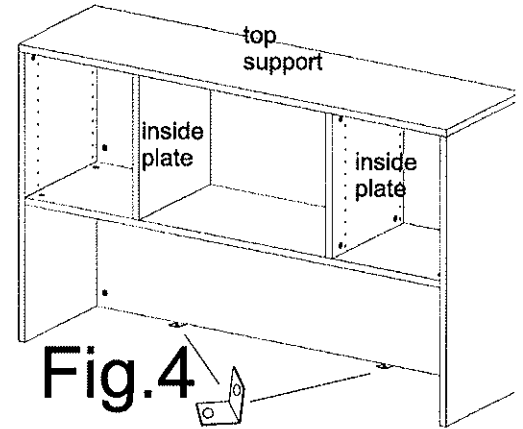
STEP 3

Attach the middle support in the same manner as the previous support. Fig. 2. Then attach the right support and both inside plates accordingly. Fig. 3. Be sure the holes on the inside plates are on the correct side to be able to insert drawers or shelves. See Fig. 3.



STEP 4

Now attach the top support as before. Fig. 4.



STEP 5

Use the two "L" brackets to secure the hutch to the desk. It is best to attach the brackets on the back side of the hutch. Fig. 4.

RAIL INSTRUCTIONS

Left & Right drawer rails can easily be pushed into the pre-drilled holes along the sides of the cabinet. When removing rails, DO NOT TWIST, just lightly wiggle until the rail is loose enough to pull out.

PLEASE NOTE;
The bottom drawer does not require a rail. It slides along the bottom of the cabinet.

The metal dowels are for the paper shelves. The paper shelf will clip onto the rear dowel. A light push will release the shelf so you can remove it.

