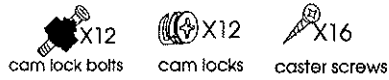
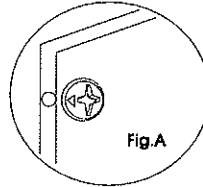


MINI SINGLE ASSEMBLY INSTRUCTIONS



STEP 1
Screw the black cam-lock bolts into the pre-drilled holes on the top, bottom and side plates.

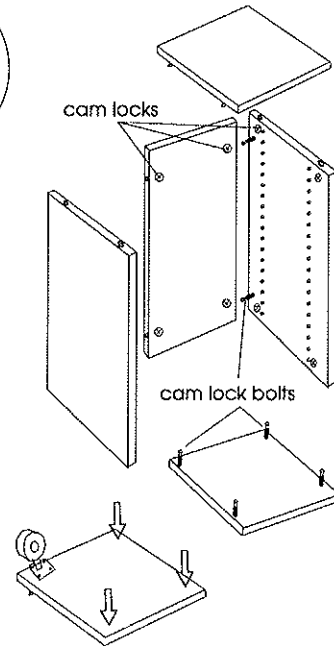


STEP 2
Push the cam-locks into all the larger receptacle holes on the back and side gables.
(Make sure the arrow/triangle on the camlock is pointing towards pre-drilled hole in side of panel. See Fig. A)

STEP 3
Screw the casters onto the bottom plate at each corner.

STEP 4
Attach both side panels to the back panel. Camlock screws will fit into holes drilled in the sides of the back panel. Then turn camlocks to tighten both panels together.

STEP 5
Continue by attaching bottom and top panels in the same fashion as you attached the side panels.



RAIL INSTRUCTIONS

Left & Right drawer rails can easily be pushed into the pre-drilled holes along the sides of the cabinet. When removing rails, DO NOT TWIST, just lightly wiggle until the rail is loose enough to pull out.

PLEASE NOTE;
The bottom drawer does not require a rail. It slides along the bottom of the cabinet.

The metal dowels are for the paper shelves. The paper shelf will clip onto the rear dowel. A light push will release the shelf so you can remove it.

