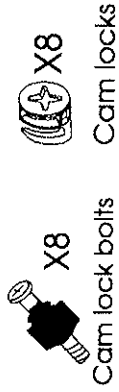


MINI CUBE ASSEMBLY INSTRUCTIONS



STEP 1

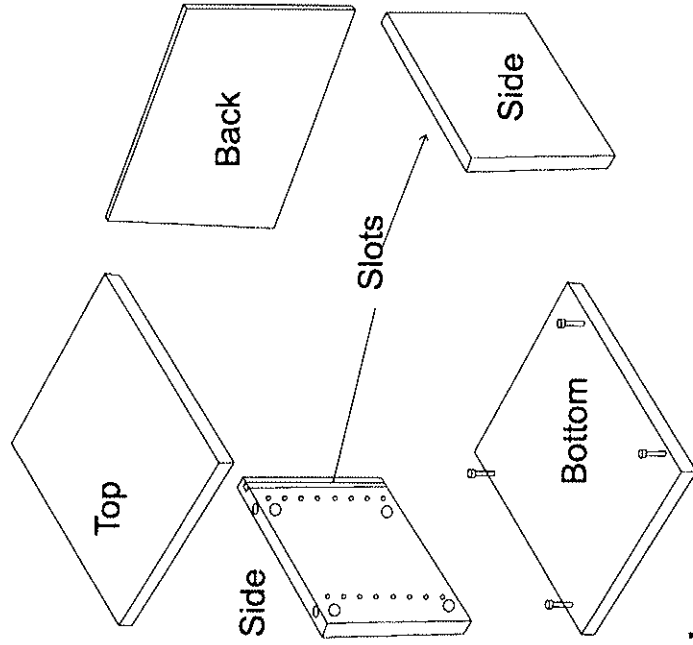
Insert the cam locks into the 8 larger holes (4 on each side), making sure the arrow/triangle is pointing toward pre-drilled holes in the side of the cabinet. Then screw the camlock bolts into the bottom and top panels in the smaller pre-drilled holes.

STEP 2

Secure the two side panels to the bottom panels by tightening the cam locks with a screwdriver, turning clockwise. Then slide the back panel into the slots provided in both side panels to secure.

STEP 3

Fasten the top panel to the two side panels and the unit is ready for drawers and/or shelves.

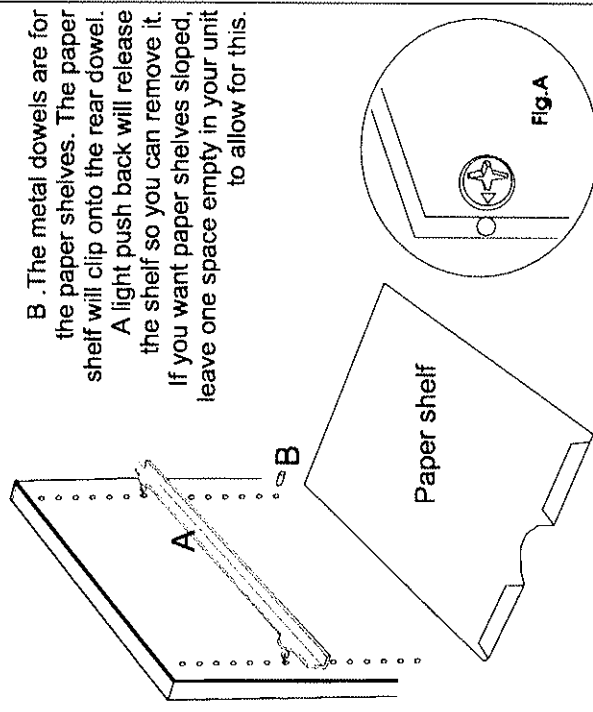


RAIL/DOWEL INSTRUCTIONS

A. Left & Right drawer rails can easily be pushed into pre-drilled holes on sides of cabinet. When removing rails, DO NOT TWIST, just lightly wiggle until the rail is loose enough to pull out.

Figure 1

PLEASE NOTE:
The bottom drawer does not require a rail.



B. The metal dowels are for the paper shelves. The paper shelf will clip onto the rear dowel. A light push back will release the shelf so you can remove it. If you want paper shelves sloped, leave one space empty in your unit to allow for this.



First Choice Products Inc.

1-866-498-2378