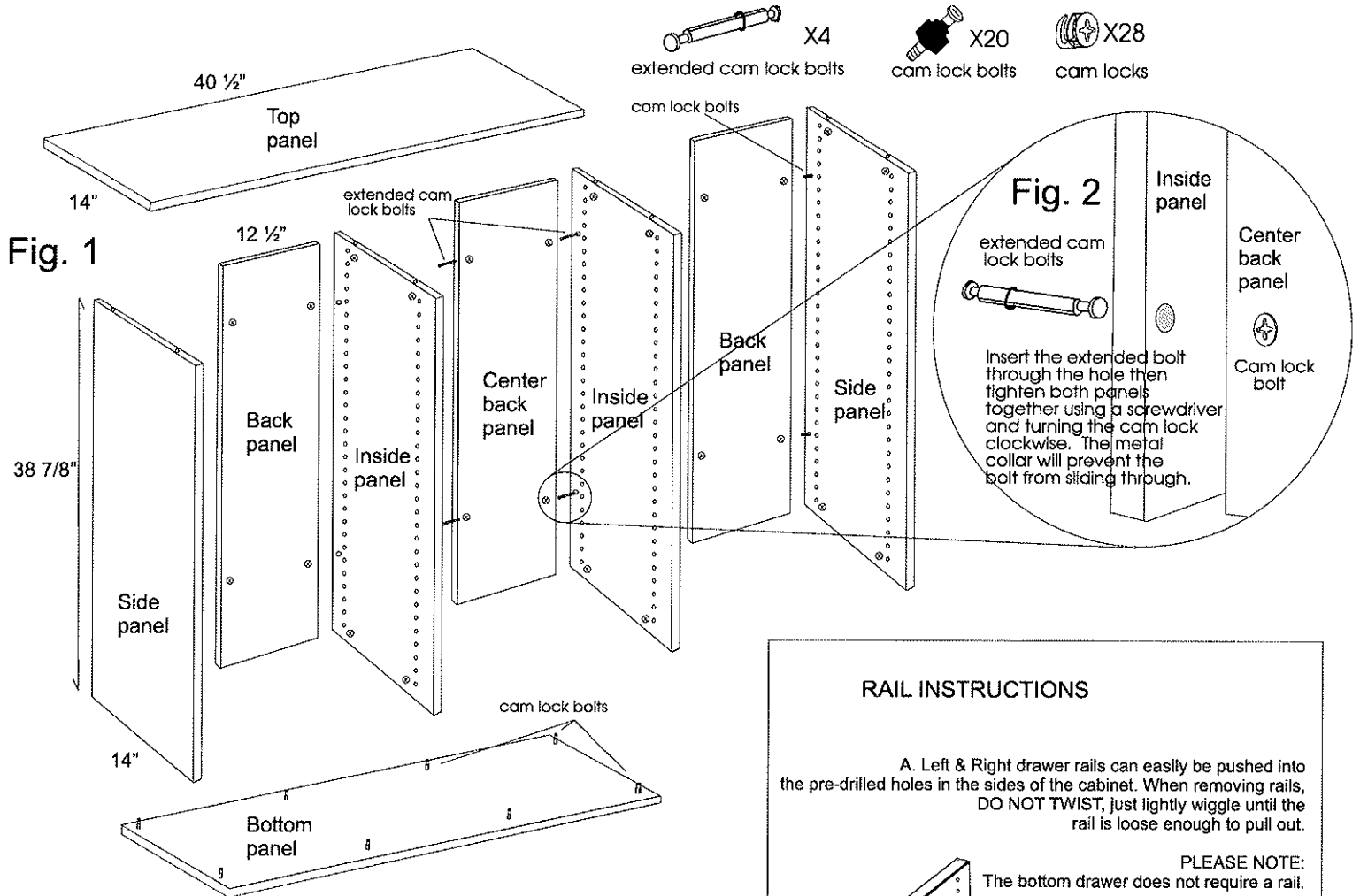


LARGE TRIPLE STACKABLE ASSEMBLY INSTRUCTIONS



STEP 1

To start, take the cam lock bolts and screw them into the top, bottom and side panels. (see fig. 1) Then take the extended cam lock bolts and fasten them into the two inside panels. (see fig. 2) Make sure that the arrow/triangle is facing the pre-drilled hole in side of panel. Fig. A

STEP 2

Take the cam locks and insert them into the larger holes on the back, side and inside panels.

STEP 3

Now you can start assembling the unit. Start with the first side panel and attach it to the first back panel. With a screw driver turn the camlocks clockwise to secure. Repeat this until all 4 panels are secure.

STEP 4

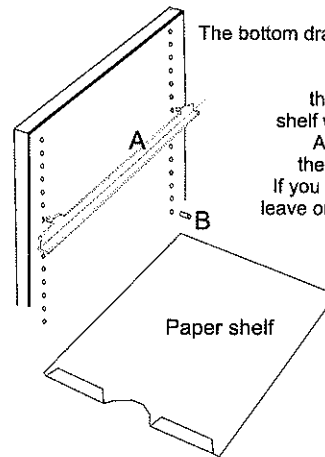
Last, set the unit onto its back and secure the top and bottom panels. Now you are ready to install your drawers and/or paper shelves to complete the unit.

RAIL INSTRUCTIONS

A. Left & Right drawer rails can easily be pushed into the pre-drilled holes in the sides of the cabinet. When removing rails, DO NOT TWIST, just lightly wiggle until the rail is loose enough to pull out.

PLEASE NOTE:
The bottom drawer does not require a rail.

B. The metal dowels are for the paper shelves. The paper shelf will clip onto the rear dowel. A light push back will release the shelf so you can remove it. If you want paper shelves sloped, leave one space empty in your unit to allow for this.



First Choice Products Inc.



1-866-498-2378